

SHANDONG SHENZHOU REFRIGERATION EQUIPMENT CO., LTD.

ADDRESS: Shengjing High-tech Park, Zhangqiu, Jinan city, China

TEL: 0086-531-83687276 83687277

FAX: 0086-531-83687278

WEB: www.arkref.com EMAIL: service@arkref.com



APPLICATION FIELDS



COMPANY Brief

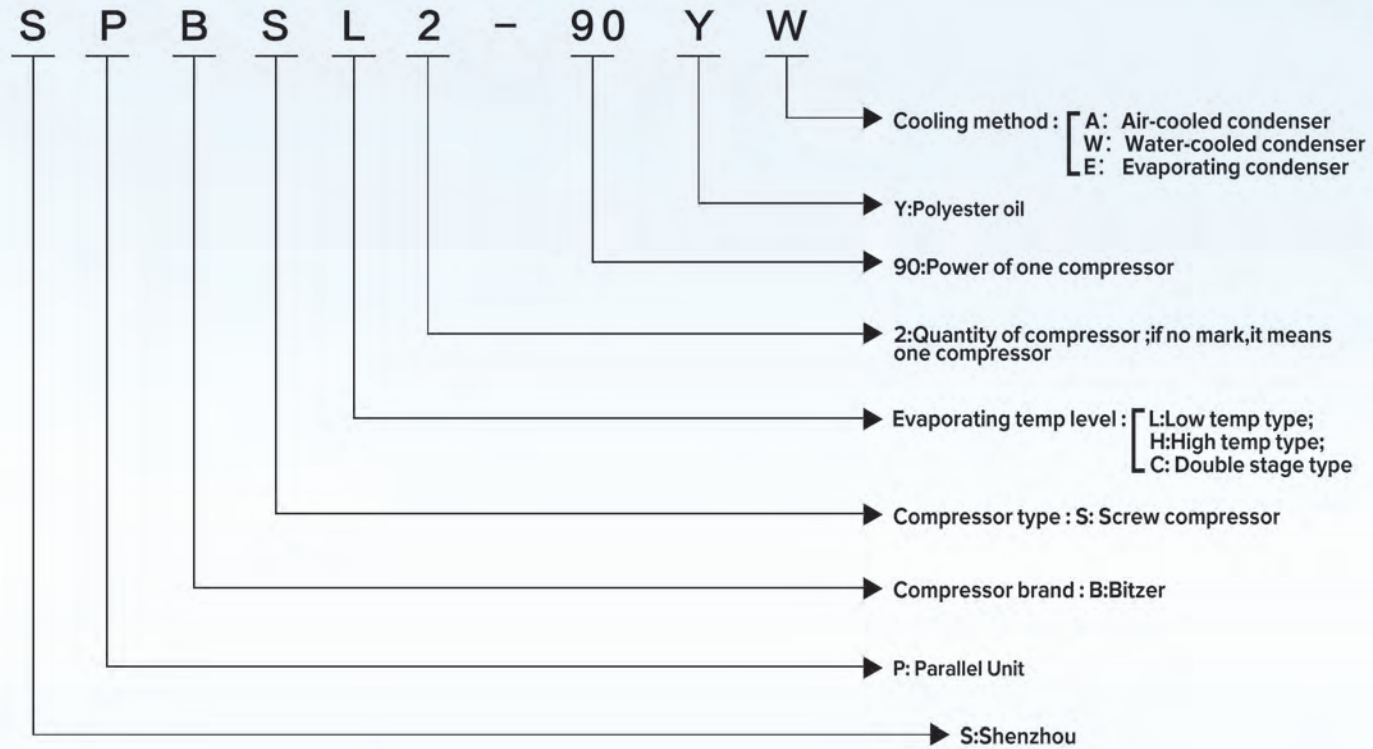
Shandong Shenzhou Refrigeration Equipment Co.,Ltd, originating from Refrigeration Technology Service Department of Shandong Institute of Commerce and Technology in 1989, is a company specialized in research, design, production, sales and services of refrigeration equipments. It has obtained ISO9001:2008 quality system certification and CE.

Our factory is located in Shengjing High-tech Park of Zhangqiu, Jinan city, China. Its main products include reciprocating and screw parallel compressor units, low-temperature brine units, condensing units, purity CO₂ systems, secondary refrigerant systems, CO₂ cascade systems, digital scroll compressor units, flooded pump units and supporting electronic control systems, etc. These products are widely applied to industries of food, medicine, chemistry, scientific research, logistics, and brewing etc. Its sales network covers the whole country and the products are also being exported to Southeast Asia, Africa, and developed countries in Europe and America.

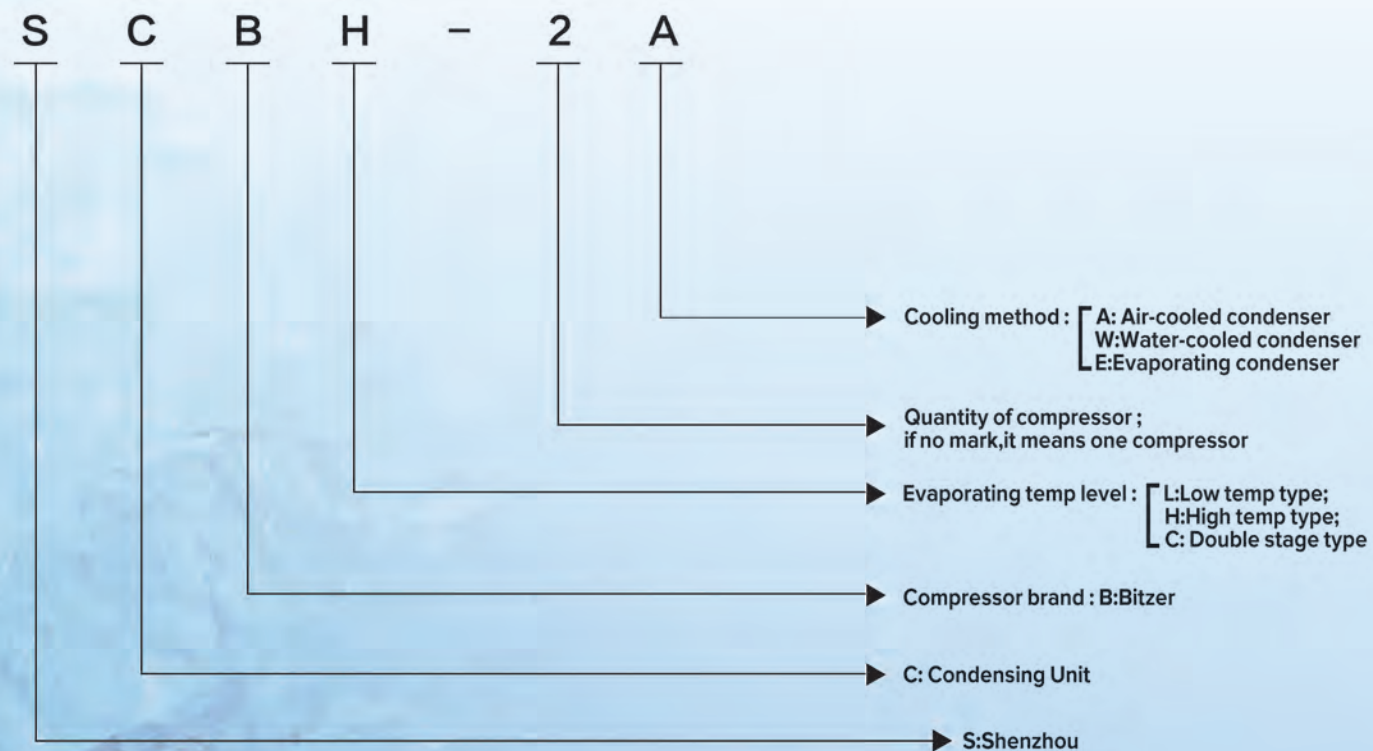
Undertaking the mission of "committed to the innovation and application of refrigeration technology; strive for the good life of human beings", the company ensures the continuous improvement of product quality by using advanced 'SAP' management system, gradually transforming the methods of pipeline production, adopting advanced production methods and equipment, and applying strict quality assurance system and control system. It has won long term support and cooperation opportunities from the customers and has built a favorable brand image through providing a full set of refrigeration equipment and solutions for the different needs of clients.

Unit Model Description

Parallel Compressor Unit



Condensing Unit



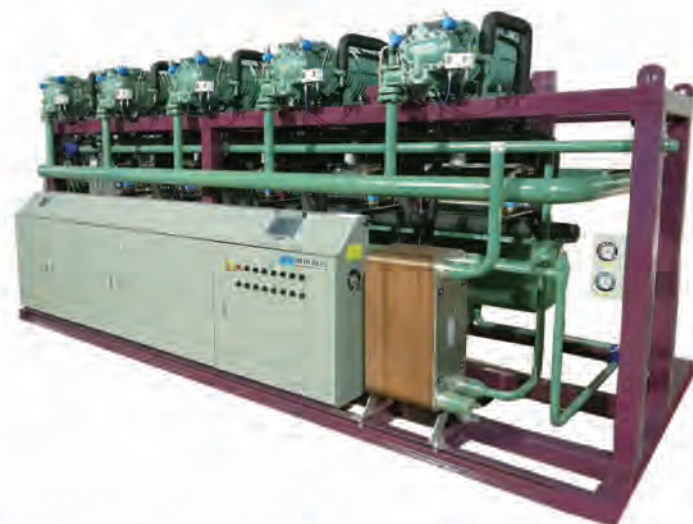
Contents

- Screw parallel compressor unit 05-08
- Reciprocating parallel compressor unit 09-15
- Air-cooled condensing unit 16-19
- Water-cooled condensing unit 20-22
- CO₂ refrigeration system 23-24
- Flooded refrigeration system 25-26
- Scroll parallel compressor unit 27-29
- Certificate 30
- Engineering projects 31-34





Screw Parallel Compressor Unit (Low Temp)

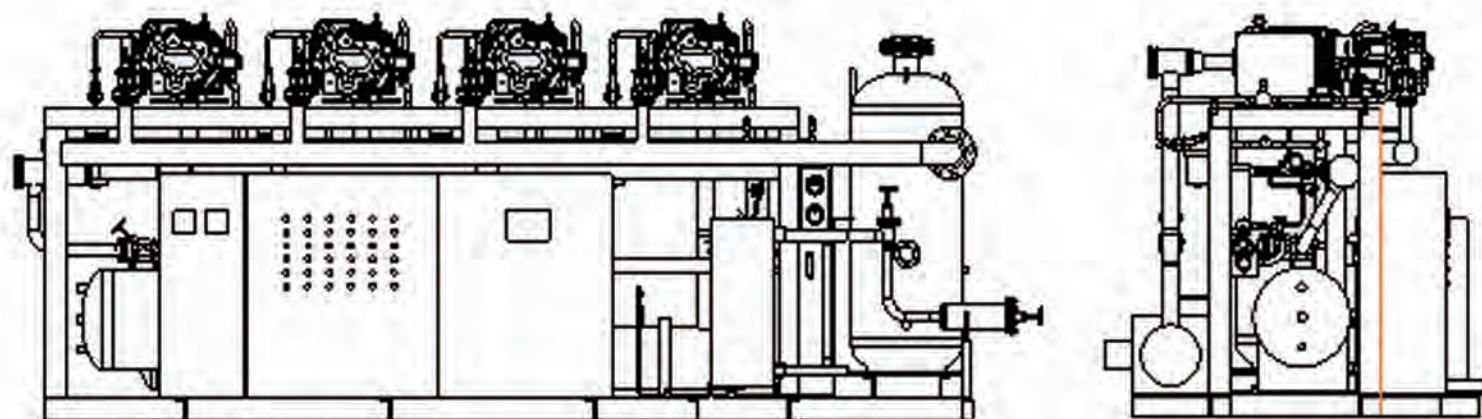


Standard Configuration

Screw compressor, liquid receiver, gauge panel, high and low pressure controller, electric cabinet, oil separator, water-cooling type oil cooler, economizer, liquid supply filter, suction line filter, injection components.

Feature:

- 1. Stable&Reliable**
World famous brand high quality compressor and components. That's ensure the latest design,the perfect combination provides a safe and reliable system.
- 2.High efficiency&energy saving**
Due to the refrigerating capacity have a huge demand difference between seasons, the unit must have a high level control capacity, so that the units can keep running under high efficiency mode. The average efficiency is 30% higher than single compressor unit.
- 3.Compact & Nimble**
All the refrigeration parts are all centralized,making sure every inch of the space is fully used.That's provide more space for commerical use,benefiting the end user with extra profit.
- 4. Easy operation&convenience**
Perfect control programming,set aside linkage interface,supporting remote expansion application.
- 5.Adpted to different refrigerant: R404A,R507A, R407C,R134A,R22.**



Screw Parallel Compressor Unit (Low Temp) Refrigerant: R404A

Model	Compressor Model	Condensing Temp.(°C)	Evaporating Temp.(°C)			Compressor (KW)	Receiver (L)	Suction pipe (mm)	Supply pipe (mm)	Dimension (L*W*H)	Operating weight (KG)
			-23	-30	-40						
SPBSL2-60Y	HSN7451-60Y	35	190.2	144.4	92.4	90	150	133	42	2875x1325x1620	2080
		45	171.4	130.4	83.4						
SPBSL3-60Y	HSN7451-60Y	35	285.3	216.6	138.6	135	200	2x108	54	3538x1325x1785	2600
		45	257.1	195.6	125.1						
SPBSL4-60Y	HSN7451-60Y	35	380.4	288.8	184.8	180	250	2x108	54	4500x1325x1900	3030
		45	342.8	260.8	166.8						
SPBSL5-60Y	HSN7451-60Y	35	475.5	361	231	225	300	3x108	54	5300x1572x1900	3485
		45	428.5	326	208.5						
SPBSL6-60Y	HSN7451-60Y	35	570.6	433.2	277.2	270	400	3x133	54	6200x1572x1918	3980
		45	514.2	391.2	250.2						
SPBSL2-70Y	HSN7461-70Y	35	214.6	163.8	106.2	105	150	133	42	2875x1495x1620	2130
		45	195.8	149.6	96.8						
SPBSL3-70Y	HSN7461-70Y	35	321.9	245.7	159.3	157.5	250	2x108	54	4033x1321x1768	2780
		45	293.7	224.4	145.2						
SPBSL4-70Y	HSN7461-70Y	35	429.2	327.6	212.4	210	300	2x133	54	4900x1572x1900	3030
		45	391.6	299.2	193.6						
SPBSL5-70Y	HSN7461-70Y	35	536.5	409.5	265.5	262.5	400	3x108	54	5300x1572x1900	3220
		45	489.5	374	242						
SPBSL6-70Y	HSN7461-70Y	35	643.8	491.4	318.6	315	500	3x133	54	6200x1572x1918	3670
		45	587.4	448.8	290.4						
SPBSL2-75Y	HSN7471-75Y	35	226	173.4	113.8	112.5	150	133	42	2875x1495x1620	2160
		45	204.4	157	103						
SPBSL3-75Y	HSN7471-75Y	35	339	260.1	170.7	168.75	250	2x108	50	4033x1321x1768	2820
		45	306.6	235.5	154.5						
SPBSL4-75Y	HSN7471-75Y	35	452	346.8	227.6	225	300	2x133	54	4900x1572x1900	3080
		45	408.8	314	206						
SPBSL5-75Y	HSN7471-75Y	35	565	433.5	284.5	281.25	400	3x133	76	5300x1572x1900	3330
		45	511	392.5	257.5						
SPBSL6-75Y	HSN7471-75Y	35	678	520.2	341.4	337.5	500	3x133	76	6353x1572x1918	3750
		45	613.2	471	309						
SPBSL2-125Y	HSN8571-125Y	35	374.8	288	190.4	187.5	250	159	54	3750x1520x2270	2550
		45	334	255.2	165.6						
SPBSL3-125Y	HSN8571-125Y	35	562.2	432	285.6	281.25	400	2x159	54	4929x1299x2101	3400
		45	501	382.8	248.4						
SPBSL4-125Y	HSN8571-125Y	35	749.6	576	380.8	375	500	2x159	76	4850x1970x2320	4620
		45	668	510.4	331.2						
SPBSL5-125Y	HSN8571-125Y	35	937	720	476	468.75	600	3x159	76	5500x1970x2420	5450
		45	835	638	414						
SPBSL6-125Y	HSN8571-125Y	35	1124.4	864	571.2	562.5	800	3x159	76	6400x1970x2420	6150
		45	1002	765.6	496.8						

Explanation:

1. Power supply: 3P-380V-50Hz; Voltage Allowance: ± 10%, Phase Voltage Allowance: ± 2% .
2. The above data is got by R404A, Data for R134A,R407C etc are available on request.
3. There may be change of the dimensions without pre notice. For accurate you are welcome to ask us for installing drawing.
4. The configuration can be changed based on the customer requirements.



Screw Parallel Compressor Unit (Medium&High Temp)



Standard Configuration

Screw compressor, liquid receiver, gauge panel, high and low pressure controller, electric cabinet, oil separator, spray liquid cooling system, liquid supply filter, suction line filter.

Feature:

1. Stable&Reliable

World famous brand high quality compressor and components. That's ensure the latest design, the perfect combination provides a safe and reliable system.

2. High efficiency&energy saving

Due to the refrigerating capacity have a huge demand difference between seasons, the unit must have a high level control capacity, so that the units can keep running under high efficiency mode. The average efficiency is 30% higher than single compressor unit.

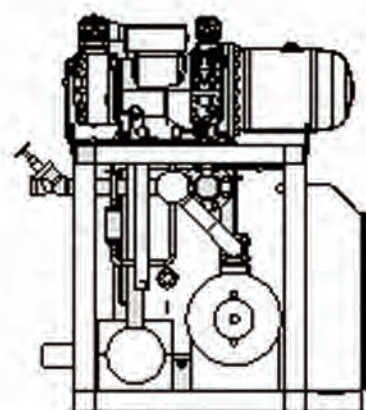
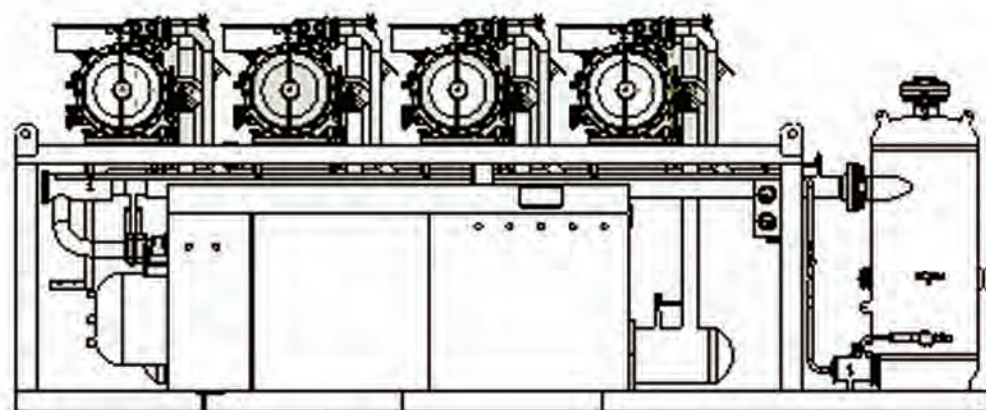
3. Compact & Nimble

All the refrigeration parts are all centralized, making sure every inch of the space is fully used. That's provide more space for commercial use, benefiting the end user with extra profit.

4. Easy operation&convenience

Perfect control programming, set aside linkage interface, supporting remote expansion application.

5. Adpoted to different refrigerant: R404A, R507A, R407C, R134A, R22.



Screw Parallel Compressor Unit (Medium & High Temp) Refrigerant: R404A

Model	Compressor Model	Condensing Temp.(°C)	Evaporating Temp.(°C)			Compressor (KW)	Receiver (L)	Suction pipe (mm)	Supply pipe (mm)	Dimension (L*W*H)	Operating weight (KG)
			0	-5	-10						
SPBSH2-60Y		35	301.4	247.6	201.6	90	150	108	42	2600X1500X1750	1830
		45	249	202	161.8						
SPBSH3-60Y	CSH6563-60Y	35	452.1	371.4	302.4	135	200	2x89	54	3400X1500X1750	2430
		45	373.5	303	242.7						
SPBSH4-60Y		35	602.8	495.2	403.2	180	250	2x108	54	4200X1500X1750	2650
		45	498	404	323.6						
SPBSH2-90Y		35	464	382	311.2	135	200	133	54	2700X1600X1750	2850
		45	377.8	308	248.6						
SPBSH3-90Y	CSH7573-90Y	35	696	573	466.8	202.5	300	2x108	76	3500X1600X1750	3650
		45	566.7	462	372.9						
SPBSH4-90Y		35	928	764	622.4	270	400	2X133	76	4300X1600X1950	4510
		45	755.6	616	497.2						
SPBSH2-125Y		35	656	542	444	187.5	250	133	57	3300X1750X2050	3220
		45	544	444	360.2						
SPBSH3-125Y	CSH8583-125Y	35	984	813	666	281.25	400	2x133	76	4400X1750X2050	4320
		45	816	666	540.3						
SPBSH4-125Y		35	1312	1084	888	375	500	2x133	76	5500X1750X2050	5310
		45	1088	888	720.4						
SPBSH2-140Y		35	758	626	512	210	300	159	76	3300X1750X2050	3280
		45	628	514	416						
SPBSH3-140Y	CSH8573-140Y	35	1137	939	768	315	400	2X133	76	4400X1750X2050	4430
		45	942	771	624						
SPBSH4-140Y		35	1516	1252	1024	420	600	2x159	89	5500X1750X2050	5520
		45	1256	1028	832						
SPBSH2-180Y		35	974	802	654	270	400	2X159	89	4500X2000X2100	5280
		45	800	654	526						
SPBSH3-180Y	CSH8593-180Y	35	1461	1203	981	405	600	2x159	89	5600X2000X2100	6570
		45	1200	981	789						
SPBSH4-180Y		35	1948	1604	1308	540	800	2x219	108	6700X2000X2100	7880
		45	1600	1308	1052						
SPBSH2-210Y		35	1106	912	746	315	500	2x133	108	4500X2000X2100	5290
		45	912	746	604						
SPBSH3-210Y	CSH9563-210Y	35	1659	1368	1119	472.5	700	2x159	108	5600X2000X2100	6580
		45	1368	1119	906						
SPBSH4-210Y		35	2212	1824	1492	630	900	2x219	108	6700X2000X2100	7890
		45	1824	1492	1208						

Explanation:

1. Power supply: 3P-380V-50Hz; Voltage Allowance: ± 10%, Phase Voltage Allowance: ± 2% .
2. The above data is got by R404A, Data for R134A, R407C etc are available on request.
3. There may be change of the dimensions without pre notice. For accurate you are welcome to ask us for installing drawing.
4. The configuration can be changed based on the customer requirements.



Reciprocating Parallel Compressor Unit

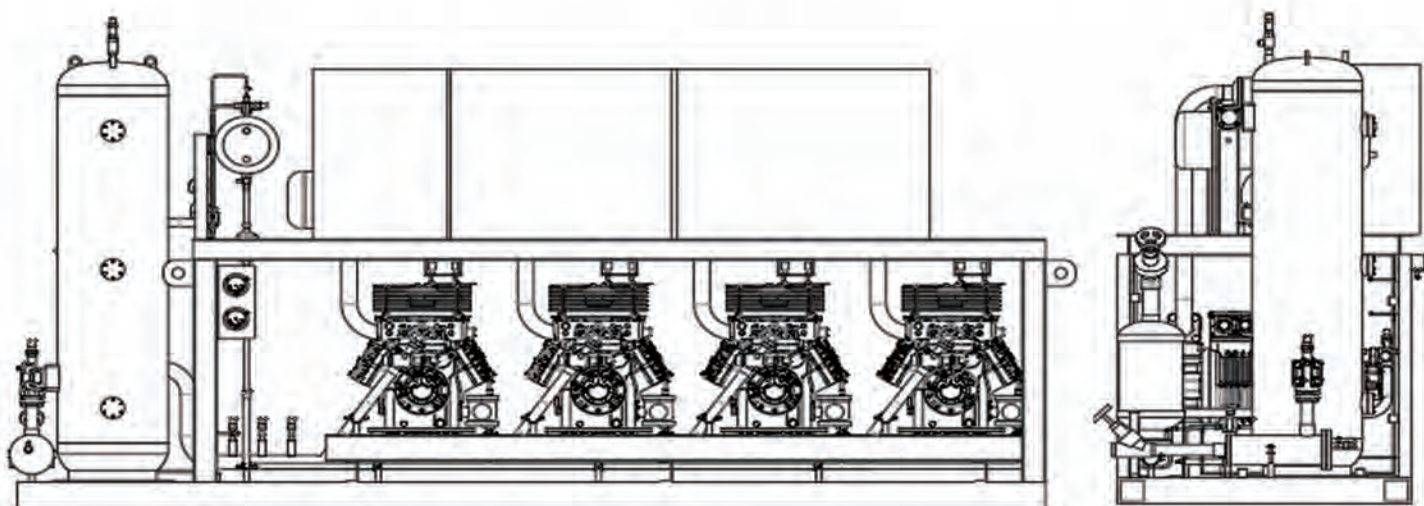


Standard Configuration

Compressors, crankcase heater, oil pressure safety, switch (except octagon compressor), liquid receiver, liquid supply filter, suction line filter, pressure controller, gauge panel, oil level control system, B5.2 refrigeration oil, electric cabinet, low-temperature compressor with cooling fan, double-stage compressor with intercooler and vibration absorber.

Feature:

- 1. Stable & Reliable**
World famous brand high quality compressor and components. That's ensure the latest design, the perfect combination provides a safe and reliable system.
- 2. High efficiency & energy saving**
Due to the refrigerating capacity have a huge demand difference between seasons, the unit must have a high level control capacity, so that the units can keep running under high efficiency mode. The average efficiency is 30% higher than single compressor unit.
- 3. Compact & Nimble**
All the refrigeration parts are all centralized, making sure every inch of the space is fully used. That's provide more space for commercial use, benefiting the end user with extra profit.
- 4. Easy operation & convenience**
Perfect control programming, set aside linkage interface, supporting remote expansion application.
- 5. Adapted to different refrigerant: R404A, R507A, R407C, R134A, R22.**



Reciprocating Parallel Compressor Unit (High-temp)

Refrigerant: R404A

Model	Compressor Model	Condensing Temp (°C)	Evaporating Temp. (°C)					Compressor (kW)	Suction pipe (mm)	Supply pipe (mm)	Dimension (L*W*H)mm	Operating Weight (Kg)
			-15	-10	-5	0	5					
SPBH2-7Y		35	24.7	31	38.5	47.3	57.5	10.5	42	16	1400x1050x1460	578
		45	19.89	25.2	31.6	39.1	48.1					
SPBH3-7Y	4DES-7Y	35	37.1	46.5	57.7	70.9	86.3	15.75	2*35	22	1950x1050x1460	797
		45	29.8	37.8	47.4	58.7	72.1					
SPBH4-7Y		35	49.5	62	76.9	94.5	115.1	21	2*42	22	2500x1050x1460	980
		45	39.8	50.5	63.2	78.3	96.1					
SPBH2-10Y		35	31	39.3	49.2	60.9	74.6	15	42	22	1400x1135x1460	704
		45	24.4	31.4	39.9	49.9	61.8					
SPBH3-10Y	4VES-10Y	35	46.5	59	73.8	91.3	111.9	22.5	2*42	22	1950x1135x1460	997
		45	36.6	47.2	59.8	74.9	92.7					
SPBH4-10Y		35	62	78.6	98.4	121.8	149.2	30	2*42	28	2500x1135x1460	1300
		45	48.8	62.9	79.8	99.9	123.6					
SPBH2-15Y		35	42.7	54.3	68.1	84.5	103.7	22.5	54	22	1400x1168x1460	908
		45	33.5	43.3	55	69.1	85.7					
SPBH3-15Y		35	64.1	81.5	102.2	126.7	155.5	33.75	2*54	28	1950x1168x1460	1253
		45	50.2	64.9	82.6	103.6	128.6					
SPBH4-15Y	4PES-15Y	35	85.5	108.7	136.3	169	207	45	2*54	35	2500x1168x1460	1566
		45	67	86.5	110.1	138.2	171.4					
SPBH5-15Y		35	106.9	136.8	170.3	211	259	56.25	3*54	35	3050x1168x1460	2044
		45	83.7	108.2	137.6	172.7	214					
SPBH6-15Y		35	128.2	163	204	253	311	67.5	3*54	35	3600x1168x1460	2209
		45	100.4	129.8	165.1	207	257					
SPBH2-20Y		35	51.3	64.8	80.9	99.9	122.3	30	54	28	1400x1168x1460	934
		45	40.7	52.2	65.9	82.3	101.7					
SPBH3-20Y		35	77	97.2	121.4	149.9	183.4	45	2*54	28	1950x1168x1460	1292
		45	61.1	78.3	98.9	123.4	152.5					
SPBH4-20Y	4NES-20Y	35	102.6	129.7	161.8	199.9	245	60	2*54	35	2500x1168x1460	1578
		45	81.4	104.3	131.8	164.6	203					
SPBH5-20Y		35	128.3	162.1	202	250	306	75	3*54	35	3050x1168x1460	2090
		45	101.8	130.4	164.8	206	254					
SPBH6-20Y		35	154	194.5	243	300	367	90	3*54	42	3600x1168x1460	2257
		45	122.1	156.5	197.7	247	305					
SPBH2-25Y		35	68.5	85.7	106	129.8	157.6	37.5	76	28	1800x1208x1650	1040
		45	54.8	69.5	87	107.6	131.7					
SPBH3-25Y	4HE-25Y	35	102.7	128.5	159	197.4	236	56.25	2*54	35	2300x1234x1550	1450
		45	82.2	104.3	130.4	161.3	197.6					
SPBH4-25Y		35	136.9	171.3	212	260	315	75	2*76	35	3550x1000x1700	1820
		45	109.6	139	173.9	215	263					

Explanation:

1. Power supply: 3P-380V-50Hz; Voltage Allowance: ± 10%, Phase Voltage Allowance: ± 2% .
2. The above data is got by R404A, Data for R134A, R407C etc are available on request.
3. There may be change of the dimensions without pre notice. For accurate you are welcome to ask us for installing drawing.
4. The configuration can be changed based on the customer requirements.



Reciprocating Parallel Compressor Unit (High-temp)

Refrigerant: R404A

Model	Compressor Model	Condensing Temp.(°C)	Evaporating Temp.(°C)					Compressor (kW)	Suction pipe (mm)	Supply pipe (mm)	Dimension (L*W*H)mm	Operating Weight (Kg)
			-15	-10	-5	0	5					
SPBH5-25Y	4HE-25Y	35	171.1	214	265	324	394	93.75	3*76	42	4250x1000x1700	2231
		45	137	173.8	217	269	329					
SPBH6-25Y		35	205	257	318	389	473	112.5	3*76	42	4850x1076x1800	2575
		45	164.4	209	261	323	395					
SPBH2-30Y		35	78.8	98.5	121.7	149	180.7	45	76	28	1800x1208x1650	1076
		45	63.1	79.9	99.8	123.2	150.7					
SPBH3-30Y		35	118.2	147.7	182.5	223	271	67.5	2*76	35	2300x1234x1550	1490
		45	94.7	119.8	149.6	184.8	226					
SPBH4-30Y	4GE-30Y	35	157.6	196.9	243	298	361	90	2*76	42	3550x1000x1700	1862
		45	126.2	159.8	199.5	246	301					
SPBH5-30Y		35	196.9	246	304	372	452	112.5	3*76	42	4250x1000x1700	2246
		45	157.8	199.7	249	308	377					
SPBH6-30Y		35	236	295	395	447	542	135	3*76	54	4850x1076x1800	2643
		45	189.4	240	299	370	452					
SPBH2-35Y		35	100.5	125.8	155.5	190.4	231	52.5	76	28	1800x1208x1650	1056
		45	80.6	102.2	127.8	157.9	193.3					
SPBH3-35Y		35	150.8	188.6	233	286	347	78.75	2*76	35	2300x1234x1550	1460
		45	120.9	153.3	191.7	237	290					
SPBH4-35Y	6HE-35Y	35	201	252	311	381	462	105	2*76	42	3550x1000x1700	1822
		45	161.2	204	256	316	387					
SPBH5-35Y		35	251	314	389	476	578	131.25	3*76	64	4250x1000x1700	2200
		45	201	255	319	395	483					
SPBH6-35Y		35	302	377	466	571	693	157.5	3*76	64	4850x1076x1800	2600
		45	242	307	383	474	580					
SPBH2-50Y		35	140.4	175	216	263	319	75	89	42	1800x1208x1800	1176
		45	113	142.3	176.8	217	265					
SPBH3-50Y		35	211	262	323	395	478	112.5	2*76	54	2300x1234x1550	1625
		45	169.4	213	265	326	397					
SPBH4-50Y	6FE-50Y	35	281	350	431	527	638	150	2*89	64	3550x1000x1800	2052
		45	226	285	354	435	530					
SPBH5-50Y		35	351	437	539	658	797	187.5	3*89	64	4250x1083x1800	2521
		45	282	356	442	544	662					
SPBH6-50Y		35	421	525	647	790	957	225	3*89	76	4850x1076x1800	2953
		45	339	427	531	652	795					

Explanation:

1. Power supply: 3P-380V-50Hz; Voltage Allowance: ± 10%, Phase Voltage Allowance: ± 2% .
2. The above data is got by R404A, Data for R134A,R407C etc are available on request.
3. There may be change of the dimensions without pre notice. For accurate you are welcome to ask us for installing drawing.
4. The configuration can be changed based on the customer requirements.



Reciprocating Parallel Compressor Unit (Low-temp)

Refrigerant: R404A

Model	Compressor Model	Condensing Temp.(°C)	Evaporating Temp.(°C)					Compressor (kW)	Suction pipe (mm)	Supply pipe (mm)	Dimension (L*W*H)mm	Operating Weight (Kg)
			-40	-35	-30	-25	-20					
SPBL2-5Y		35	7.14	9.62	12.62	16.24	20.54	7.5	35	16	1400*1050*1500	477
		45	5.54	7.58	10.08	13.1	16.68					
SPBL3-5Y		35	10.71	14.43	18.93	24.36	30.81	11.25	2*35	22	1950*1050*1500	697
		45	8.31	11.37	15.12	19.65	25.02					
SPBL4-5Y	4DES-5Y	35	14.28	19.24	25.24	32.48	41.08	15	2*35	22	2500*1050*1500	870
		45	11.08	15.16	20.16	26.2	33.36					
SPBL5-5Y		35	13.85	18.95	25.2	32.75	41.7	18.75	3*35	28	3100*1050*1501	1090
		45	13.85	18.95	25.2	32.75	41.7					
SPBL6-5Y		35	21.42	28.86	37.86	48.72	61.62	22.5	3*35	28	3700*1050*1502	1340
		45	16.62	22.74	30.24	39.3	50.04					
SPBL2-6Y		35	5.74	7.8	10.32	13.34	16.94	9	35	16	1400*1135*1500	480
		45	4.4	6.1	8.18	10.68	13.66					
SPBL3-6Y		35	8.61	11.7	15.48	20.01	25.41	13.5	2*35	22	1950*1135*1500	732
		45	6.6	9.15	12.27	16.02	20.49					
SPBL4-6Y	4CES-6Y	35	11.48	15.6	20.64	26.68	33.88	18	2*42	22	2500*1135*1500	902
		45	8.8	12.2	16.36	21.36	27.32					
SPBL5-6Y		35	14.35	19.5	25.8	33.35	42.35	22.5	3*35	28	3200*1135*1500	1197
		45	11	15.25	20.45	26.7	34.15					
SPBL6-6Y		35	17.22	23.4	30.96	40.02	50.82	27	3*42	28	3900*1135*1500	1401
		45	13.2	18.3	24.54	32.04	40.98					
SPBL2-9Y		35	8.7	12.37	16.94	22.6	29.4	13.5	54	22	1400*1135*1500	580
		45	6	8.91	12.61	17.25	23					
SPBL3-9Y		35	13.06	18.56	25.4	33.9	44.1	20.25	2*42	22	1950*1135*1500	843
		45	9.01	13.37	18.92	25.9	34.4					
SPBL4-9Y	4TSE-9Y	35	17.41	24.7	33.9	45.1	58.8	27	2*54	22	2500*1135*1500	1074
		45	12.01	17.82	25.2	34.5	45.9					
SPBL5-9Y		35	21.75	30.925	42.35	56.5	73.5	26.25	3*42	28	3200*1135*1500	1380
		45	15	22.275	31.525	43.125	57.5					
SPBL6-9Y		35	26.1	37.11	50.82	67.8	88.2	27	3*54	35	3900*1135*1500	1675
		45	18	26.73	37.83	51.75	69					
SPBL2-14Y		35	11.91	16.86	23.1	30.7	40	21	54	22	1400*1135*1500	708
		45	8.12	12.07	17.1	23.4	31.2					
SPBL3-14Y		35	17.86	25.3	34.6	46	60	31.5	2*54	22	1950*1135*1500	1003
		45	12.18	18.1	25.7	35.1	46.8					
SPBL4-14Y	4NES-14Y	35	23.8	33.7	46.1	61.4	80	42	2*54	28	2500*1135*1500	1308
		45	16.25	24.1	34.2	46.8	62.4					
SPBL5-14Y		35	29.8	42.2	57.6	76.7	100	52.5	3*54	35	3200*1135*1500	1655
		45	20.3	30.2	42.8	58.5	78					
SPBL6-14Y		35	35.7	50.6	69.2	92.1	120	63	3*54	35	3900*1135*1500	2079
		45	24.4	36.2	51.3	70.2	93.6					



Reciprocating Parallel Compressor Unit (Low-temp) Refrigerant: R404A

Model	Compressor Model	Condensing Temp.(°C)	Evaporating Temp.(°C)					Compressor (kW)	Suction pipe (mm)	Supply pipe (mm)	Dimension (L*W*H)mm	Operating Weight (Kg)
			-40	-35	-30	-25	-20					
SPBL2-18Y		35	17.43	24.3	32.7	42.9	55.1	27	76	22	1800*1203*1650	974
		45	12.45	17.99	24.9	33.4	43.7					
SPBL3-18Y		35	26.2	36.4	49	64.3	82.6	40.5	2*54	28	2400*1203*1650	1352
		45	18.67	27	37.3	50.1	65.5					
SPBL4-18Y	4HE-18Y	35	34.9	48.6	65.4	85.7	110.1	54	2*76	28	3000*1203*1650	1698
		45	24.9	36	49.8	66.7	87.3					
SPBL5-18Y		35	43.6	60.7	81.7	107.1	137.6	67.5	3*54	35	3600*1203*1650	2224
		45	31.1	45	62.2	83.4	109.2					
SPBL6-18Y		35	52.3	72.9	98.1	128.6	165.2	91	3*76	35	4200*1203*1650	2407
		45	37.3	54	74.7	100.1	131					
SPBL2-23Y		35	20.9	28.8	38.4	50.1	64.1	34.5	76	22	1800*1203*1650	1012
		45	15.38	21.7	29.6	39.3	51.1					
SPBL3-23Y		35	31.4	43.2	57.7	75.1	96.1	51.75	2*54	28	2400*1203*1650	1409
		45	23.1	32.6	44.5	59	76.7					
SPBL4-23Y	4GE-23Y	35	41.9	57.6	76.9	100.2	128.2	69	2*76	28	3000*1203*1650	1734
		45	30.8	43.5	59.3	78.7	102.2					
SPBL5-23Y		35	52.4	72	96.1	125.2	160.2	86.25	3*76	35	3600*1203*1650	2284
		45	38.4	54.4	74.1	98.4	127.8					
SPBL6-23Y		35	62.8	86.5	115.3	150.3	192.2	103.5	3*76	42	4850*1076*1800	2491
		45	46.1	65.2	88.9	118	153					
SPBL2-28Y		35	25.8	35.9	48.2	63.1	80.9	42	76	28	1800*1208*1650	1056
		45	18.35	26.5	36.7	49.1	64.3					
SPBL3-28Y		35	38.7	53.8	72.2	94.6	121.4	63	2*76	35	2300*1242*1750	1500
		45	27.5	39.8	55	73.7	96.4					
SPBL4-28Y	6HE-28Y	35	51.6	71.7	96.3	126.1	161.9	84	2*76	42	3550*1000*1700	1822
		45	36.7	53	73.4	90.3	128.5					
SPBL5-28Y		35	64.5	89.7	120.4	157.6	202	105	3*76	42	4250*1083*1800	2196
		45	45.9	66.3	91.7	122.9	160.7					
SPBL6-28Y		35	77.4	107.6	144.5	189.2	243	126	3*76	54	4850*1076*1800	2583
		45	55	79.5	110	147.4	192.8					
SPBL2-34Y		35	32.2	43.8	57.9	74.9	95.3	51	76	28	1800*1208*1650	1120
		45	23.8	33.4	45.1	59.4	76.6					
SPBL3-34Y		35	48.3	65.7	86.9	112.4	143	76.5	2*76	35	2300*1242*1750	1556
		45	35.7	50	67.7	89.1	114.9					
SPBL4-34Y	6GE-34Y	35	64.5	87.6	115.9	149.9	190.6	102	2*76	42	3550*1000*1800	1950
		45	47.7	66.7	90.2	118.8	153.2					
SPBL5-34Y		35	80.6	109.5	144.8	187.4	238	127.5	3*76	42	4250*1083*1800	2356
		45	59.6	83.4	112.8	148.5	191.5					



Reciprocating Parallel Compressor Unit (Low-temp) Refrigerant: R404A

Model	Compressor Model	Condensing Temp.(°C)	Evaporating Temp.(°C)					Compressor (kW)	Suction pipe (mm)	Supply pipe (mm)	Dimension (L*W*H)mm	Operating Weight (Kg)
			-40	-35	-30	-25	-20					
SPBL6-34Y	6GE-34Y	35	96.7	131.5	173.8	225	286	153	3*76	54	4850*1076*1800	2775
		45	71.5	100.1	135.3	178.2	230					
SPBL2-44Y		35	37.7	51.8	68.9	89.5	114.2	66	76	28	1800*1208*1800	1142
		45	27.2	38.9	53.3	70.6	91.5					
SPBL3-44Y		35	56.5	77.7	103.3	134.3	171.3	99	2*76	42	2300*1242*1800	1619
		45	40.8	58.4	79.9	106	137.2					
SPBL4-44Y	6FE-44Y	35	75.4	103.5	137.8	179	228	132	2*89	54	3500*1000*1800	2044
		45	54.4	77.9	106.5	141.3	183					
SPBL5-44Y		35	94.2	129.4	172.2	224	285	165	3*76	54	4250*1083*1800	2461
		45	68	97.3	133.2	176.6	229					
SPBL6-44Y		35	113.1	155.3	207	269	343	198	3*89	54	4850*1076*1800	2891
		45	81.7	116.8	159.8	212	274					

Explanation:

1. Power supply: 3P-380V-50Hz; Voltage Allowance: ± 10%, Phase Voltage Allowance: ± 2% .
2. The above data is got by R404A, Data for R134A,R407C etc are available on request.
3. There may be change of the dimensions without pre notice. For accurate you are welcome to ask us for installing drawing.
4. The configuration can be changed based on the customer requirements.



Twin-stage Reciprocating Parallel Compressor Unit

Refrigerant: R404A

Model	Compressor Model	Condensing Temp(°C)	Evaporating Temp.(°C)					Compressor (kW)	Suction pipe (mm)	Supply pipe (mm)	Dimension (L*W*H)mm	Operating Weight (Kg)
			-50	-45	-40	-35	-30					
SPBC2-20Y		35	24.32	30.34	37.12	44.62	52.76	30	76	28	2060*1390*1800	1135
		45	23.26	28.94	35.34	42.46	50.24					
SPBC3-20Y		35	36.48	45.51	55.68	66.93	79.14	45	2*76	35	2760*1390*1800	1490
		45	34.89	43.41	53.01	63.69	75.36					
SPBC4-20Y	S6H-20.2Y	35	48.64	60.68	74.24	89.24	105.52	60	2*76	35	3460*1000*1800	1810
		45	46.52	57.88	70.68	84.92	100.48					
SPBC5-20Y		35	60.8	75.85	92.8	111.55	131.9	75	3*76	42	4350*1000*1800	2215
		45	58.15	72.35	88.35	106.15	125.6					
SPBC6-20Y		35	72.96	91.02	111.36	133.86	158.28	90	3*76	42	5050*1000*1800	2480
		45	69.78	86.82	106.02	127.38	150.72					
SPBC2-25Y		35	24.32	30.34	37.12	44.62	52.76	37.5	76	28	2060*1390*1800	1205
		45	26.62	33.08	40.38	48.48	57.32					
SPBC3-25Y		35	36.48	45.51	55.68	66.93	79.14	56.25	2*76	35	2760*1390*1800	1555
		45	39.93	49.62	60.57	72.72	85.98					
SPBC4-25Y	S6G-25.2Y	35	55.72	69.44	84.88	101.88	120.28	75	2*76	35	3650*1000*1800	1892
		45	53.24	66.16	80.76	96.96	114.64					
SPBC5-25Y		35	69.65	86.8	106.1	127.35	150.35	93.75	3*76	42	4350*1000*1800	2280
		45	66.55	82.7	100.95	121.2	143.3					
SPBC6-25Y		35	99.48	123.9	151.38	181.74	214.86	112.5	3*76	42	5150*1000*1800	2550
		45	79.86	99.24	121.14	145.44	171.96					
SPBC2-30Y		35	33.16	41.3	50.46	60.58	71.62	45	89	28	2060*1390*1800	1225
		45	31.68	39.3	47.88	57.42	67.86					
SPBC3-30Y		35	49.74	61.95	75.69	90.87	107.43	67.5	2*76	35	2950*1000*1800	1615
		45	47.52	58.95	71.82	86.13	101.79					
SPBC4-30Y	S6F-30.2Y	35	66.32	82.6	100.92	121.16	143.24	90	2*89	42	3650*1000*1800	1990
		45	63.36	78.6	95.76	114.84	135.72					
SPBC5-30Y		35	82.9	103.25	126.15	151.45	179.05	112.5	3*76	42	4350*1000*1800	2310
		45	79.2	98.25	119.7	143.55	169.65					
SPBC6-30Y		35	99.48	123.9	151.38	181.74	214.86	135	3*89	54	5150*1000*1800	2620
		45	95.04	117.9	143.64	172.26	203.58					

Explanation:

1. Power supply: 3P-380V-50Hz; Voltage Allowance: ± 10%, Phase Voltage Allowance: ± 2% .
2. The above data is got by R404A, Data for R134A,R407C etc are available on request.
3. There may be change of the dimensions without pre notice. For accurate you are welcome to ask us for installing drawing.
4. The configuration can be changed based on the customer requirements.



Air-cooled Condensing Unit

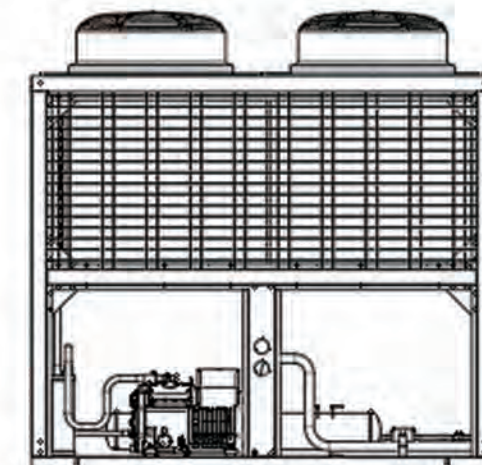
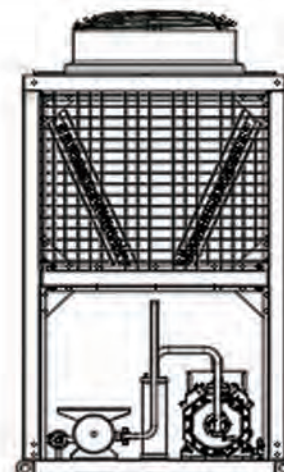


Standard Configuration

Compressor, crankcase heater, oil pressure safety switch (except octagon compressor),
air-cooled condenser, liquid receiver, dry filter, pressure controller, instrument panel, oil sight glass,
B5.2 refrigerant oil, protection gas, two-stage compressor with intercooler.

Feature:

1. High quality components of world famous brands;
2. Effective air cooled condenser which enables high energy efficiency ratio;
3. Compact structure, sturdy and durable; convenient to install;
4. Fits different refrigerant: R134A ,R404A,R507A,R22 and so on.





Air-cooled Condensing Unit (High-temp) Refrigerant: R404A

Model	Compressor Model	Condensing Temp.(°C)	Evaporating Temp.(°C)					Compressor (kW)	Suction pipe (mm)	Supply pipe (mm)	Dimension (L*W*H)mm	Operating Weight (Kg)
			-15	-10	-5	0	5					
SCBH-2YA	2GES-2Y	40	3.16	3.9	4.76	5.74	6.86	1.5	16	10	580*900*545	136
		45	2.84	3.52	4.3	5.2	6.22					
SCBH-3YA	2DES-3Y	40	6.08	7.48	9.1	10.96	13.09	2.25	22	12	810*800*545	159
		45	5.47	6.75	8.23	9.93	11.87					
SCBH-4YA	2CES-4Y	40	7.54	9.24	11.2	13.46	16.04	3	22	12	860*900*800	164
		45	6.81	8.37	10.16	12.22	14.57					
SCBH-5YA	4FES-5Y	40	8.08	10.0	12.17	14.73	17.69	3.75	22	12	860*900*800	224
		45	7.31	9.02	11.02	13.33	15.99					
SCBH-6YA	4EES-6Y	40	10.1	12.49	15.28	18.52	22.3	5.25	28	16	1295*900*800	220
		45	9.12	11.31	13.84	16.78	20.3					
SCBH-7YA	4DES-7Y	40	12.23	15.08	18.4	22.2	26.7	5.25	28	16	1295*900*800	220
		45	11.09	13.71	16.75	20.3	24.3					
SCBH-9YA	4CES-9Y	40	14.74	18.22	22.3	27	32.4	6.75	28	16	1295*900*800	295
		45	13.34	16.57	20.3	24.6	29.6					
SCBH-10YA	4VES-10Y	40	15.17	18.95	23.4	28.5	34.5	7.5	28	16	1295*900*800	315
		45	13.61	17.08	21.1	25.8	31.6					
SCBH-12YA	4TES-12Y	40	18.46	23	28.2	34.4	41.5	9	35	16	1295*900*900	351
		45	16.63	20.8	25.6	31.2	37.7					
SCBH-15YA	4PES-15Y	40	20.8	26.1	32.3	39.5	47.8	11.25	42	22	1675*900*900	378
		45	18.67	23.5	29.2	35.8	43.4					
SCBH-20YA	4NES-20Y	40	25.2	31.3	38.5	46.9	56.6	15	42	22	1675*900*900	398
		45	22.7	28.3	34.9	42.6	51.5					
SCBH-25YA	4HE-25Y	40	33.77	41.66	50.67	61.11	73.12	18.75	54	22	1870*1110*1920	455
		45	30.56	37.77	46.1	55.68	66.69					
SCBH-30YA	4GE-30Y	40	38.88	47.82	58.17	70.09	83.8	22.5	54	28	1870*1110*1920	526
		45	35.2	43.4	52.88	63.78	76.31					
SCBH-40YA	6GE-40Y	40	56.79	69.69	84.57	101.69	121.37	30	54	28	2560*1110*1920	690
		45	51.47	63.29	76.91	92.55	110.47					
SCBH-50YA	6FE-50Y	40	69.42	85.05	103.07	123.78	147.54	37.5	54	35	2750*1110*2060	756
		45	63	77.3	93.74	112.57	134.12					

Explanation:

1. Power supply: 3P-380V-50Hz; Voltage Allowance: ± 10%, Phase Voltage Allowance: ± 2% .
2. The above data is got by R404A, Data for R134A,R407C etc are available on request.
3. There may be change of the dimensions without pre notice. For accurate you are welcome to ask us for installing drawing.
4. The configuration can be changed based on the customer requirements.



Air-cooled Condensing Unit (Low-temp) Refrigerant: R404A

Model	Compressor Model	Condensing Temp.(°C)	Evaporating Temp.(°C)					Compressor (kW)	Suction pipe (mm)	Supply pipe (mm)	Dimension (L*W*H)mm	Operating Weight (Kg)
			-40	-35	-30	-25	-20					
SCBL-2YA	2FES-2Y	40	0.87	1.27	1.75	2.31	2.97	1.5	16	10	580*800*545	136
		45	0.73	1.09	1.52	2.02	2.62					
SCBL-3YA	2CES-3Y	40	1.87	2.62	3.51	4.55	5.76	2.25	22	10	810*800*545	159
		45	1.6	2.28	3.08	4.03	5.13					
SCBL-4YA	4EES-4Y	40	2.65	3.6	4.76	6.15	7.8	3	28	10	860*900*800	178
		45	2.32	3.18	4.22	5.48	6.98					
SCBL-5YA	4DES-5Y	40	3.16	4.3	5.68	7.34	9.31	3.75	28	10	860*900*800	204
		45	2.77	3.79	5.04	6.55	8.34					
SCBL-6YA	4CES-6Y	40	3.69	5.07	6.76	8.78	11.18	4.5	28	12	1295*900*800	212
		45	3.21	4.46	5.98	7.82	10					
SCBL-9YA	4TSE-9Y	40	4.33	6.09	8.24	10.84	13.93	6.75	35	12	1295*900*800	271
		45	3.69	5.28	7.22	9.57	12.38					
SCBL-12YA	4PES-12Y	40	4.53	6.56	9.04	12.06	15.67	9	35	12	1295*900*900	305
		45	3.76	5.58	7.82	10.54	13.82					
SCBL-14YA	4NES-14Y	40	5.9	8.29	11.21	14.74	18.96	10.5	35	16	1675*900*900	330
		45	4.99	7.15	9.79	12.99	16.82					
SCBL-18YA	4HE-18Y	40	8.81	12.12	16.08	20.8	26.3	13.5	42	16	1675*900*900	417
		45	7.65	10.65	14.25	18.53	23.6					
SCBL-23YA	4GE-23Y	40	10.72	14.5	19.02	24.4	30.7	17.25	54	16	1675*900*900	449
		45	9.45	12.87	16.97	21.8	27.6					
SCBL-28YA	6HE-28Y	40	13.02	17.88	23.69	30.57	38.67	21	54	22	1760*1110*1920	492
		45	11.28	15.7	21	27.28	34.68					
SCBL-34YA	6GE-34Y	40	16.56	22.15	28.8	36.63	45.8	25.5	54	22	1870*1110*1920	515
		45	14.65	19.75	25.82	32.97	41.33					
SCBL-44YA	6FE-44Y	40	19.17	26.02	34.13	43.67	54.8	33	54	22	2025*1110*1920	614
		45	16.73	23.05	30.5	39.21	49.36					

Explanation:

1. Power supply: 3P-380V-50Hz; Voltage Allowance: ± 10%, Phase Voltage Allowance: ± 2% .
2. The above data is got by R404A, Data for R134A,R407C etc are available on request.
3. There may be change of the dimensions without pre notice. For accurate you are welcome to ask us for installing drawing.
4. The configuration can be changed based on the customer requirements.



Twin-stage Air-cooled Condensing Unit (Low-temp)

Refrigerant: R404A

Model	Compressor Model	Condensing Temp(°C)	Evaporating Temp.(°C)					Compressor (kW)	Suction pipe (mm)	Supply pipe (mm)	Dimension (L*W*H)mm	Operating Weight (Kg)
			-50	-45	-40	-35	-30					
SCBC-5YA	S4T-5.2Y	40	3.08	3.9	4.86	5.98	7.26	3.75	28	10	1300*1000*800	251
		45	3	3.81	4.76	5.85	7.11					
SCBC-8YA	S4N-8.2Y	40	4.39	5.56	6.92	8.49	10.3	6	28	12	1370*1000*795	298
		45	4.28	5.43	6.77	8.31	10.08					
SCBC-12YA	S4G-12.2Y	40	7.18	9	11.08	13.4	15.95	9	35	16	1370*1000*795	376
		45	7.02	8.79	10.81	13.06	15.55					
SCBC-16YA	S6J-16.2Y	40	10.29	12.82	15.68	18.85	22.31	12	42	16	1675*1000*900	441
		45	10.07	12.53	15.31	18.4	21.8					
SCBC-20YA	S6H-20.2Y	40	11.89	14.81	18.11	21.77	25.76	15	42	22	1675*1000*900	486
		45	11.63	14.47	17.67	21.23	25.12					
SCBC-25YA	S6G-25.2Y	40	13.61	16.94	20.7	24.86	29.39	18.75	42	22	1870*1100*1920	515
		45	13.31	16.54	20.19	24.24	28.66					
SCBC-30YA	S6F-30.2Y	40	16.2	20.13	24.59	29.5	34.88	22.5	42	22	1870*1100*1920	560
		45	15.84	19.65	23.94	28.71	33.93					

Explanation:

1. Power supply: 3P-380V-50Hz; Voltage Allowance: ± 10%, Phase Voltage Allowance: ± 2% .
2. The above data is got by R404A, Data for R134A,R407C etc are available on request.
3. There may be change of the dimensions without pre notice. For accurate you are welcome to ask us for installing drawing.
4. The configuration can be changed based on the customer requirements.



Water-cooled Condensing Unit

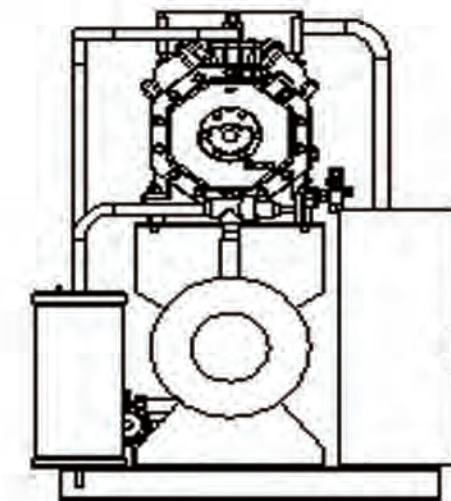
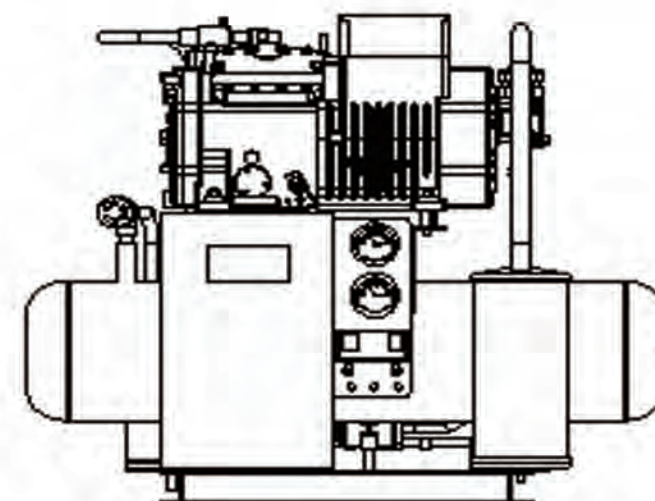


Standard Configuration

Compressors,crankcase heater,oil pressure safety switch(except octagon compressor), shell and tube type condenser,dry filter,gauge panel,B5.2 refrigeration oil,shielding gas, low temperature compressor with cooling fan, double-stage compressor with intercooler.

Feature:

- 1.High quality components of world famous brands;
- 2.Effective shell and tube type condenser which enables high energy efficiency ratio;
- 3.Compact structure, sturdy and durable; convenient to install;
- 4.Fits different refrigerant: R134A ,R404A,R507A,R22 and so on.





Water-cooled Condensing Unit (High-temp)

Refrigerant: R404A

Model	Compressor Model	Condensing Temp(°C)	Evaporating Temp.(°C)					Compressor (kW)	Suction pipe (mm)	Supply pipe (mm)	Dimension (L*W*H)mm	Operating Weight (Kg)
			-15	-10	-5	0	5					
SCBH-5YW	4FES-5Y	35	8.83	10.9	13.29	16.09	19.34	3.75	22	12	950x500x700	145
		40	8.08	10.0	12.17	14.73	17.69					
SCBH-7YW	4DES-7Y	35	13.36	16.44	20.03	24.19	29.01	5.25	28	16	1150x500x750	165
		40	12.23	15.08	18.4	22.2	26.7					
SCBH-10YW	4VES-10Y	35	16.74	20.84	25.62	31.18	37.62	7.5	28	16	1400x500x750	220
		40	15.17	18.95	23.4	28.5	34.5					
SCBH-15YW	4PES-15Y	35	23.07	28.79	35.47	43.25	52.28	11.25	42	22	1400x500x800	230
		40	20.8	26.1	32.3	39.5	47.8					
SCBH-20YW	4NES-20Y	35	27.7	34.35	42.13	51.16	61.65	15	42	22	1400x500x800	238
		40	25.2	31.3	38.5	46.9	56.6					
SCBH-25YW	4HE-25Y	35	36.95	45.4	55.17	66.45	79.44	18.75	54	22	1650x550x850	335
		40	33.77	41.66	50.67	61.11	73.12					
SCBH-30YW	4GE-30Y	35	42.52	52.18	63.36	76.26	91.12	22.5	54	22	1650x550x850	375
		40	38.88	47.82	58.17	70.09	83.8					
SCBH-40YW	6GE-40Y	35	62.06	76.02	92.16	110.77	132.19	30	54	28	1900x550x850	440
		40	56.79	69.69	84.57	101.69	121.37					
SCBH-50YW	6FE-50Y	35	75.77	92.71	112.27	134.81	160.74	37.5	54	35	1900x550x850	455
		40	69.42	85.05	103.07	123.78	147.54					

Explanation:

1. Power supply: 3P-380V-50Hz; Voltage Allowance: ± 10%, Phase Voltage Allowance: ± 2% .
2. The above data is got by R404A, Data for R134A,R407C etc are available on request.
3. There may be change of the dimensions without pre notice. For accurate you are welcome to ask us for installing drawing.
4. The configuration can be changed based on the customer requirements.

Water-cooled Condensing Unit (Low-temp)

Refrigerant: R404A

Model	Compressor Model	Condensing Temp(°C)	Evaporating Temp.(°C)					Compressor (kW)	Suction pipe (mm)	Supply pipe (mm)	Dimension (L*W*H)mm	Operating Weight (Kg)
			-40	-35	-30	-25	-20					
SCBL-5YW	4DES-5Y	35	3.57	4.81	6.31	9.76	12.37	3.75	28	10	950x500x970	152
		40	3.16	4.3	5.68	8.78	11.18					
SCBL-6YW	4CES-6Y	35	4.2	5.71	7.55	12.12	15.5	4.5	28	12	950x500x970	160
		40	3.69	5.07	6.76	10.84	13.93					
SCBL-9YW	4TES-9Y	35	4.99	6.93	9.28	16.48	21.07	6.75	35	12	1150x500x1020	205
		40	4.33	6.09	8.24	14.74	18.96					
SCBL-14YW	4NES-14Y	35	6.82	9.44	12.63	23.01	29.01	10.5	35	16	1400x500x1020	230
		40	5.9	8.29	11.21	20.8	26.3					



Water-cooled Condensing Unit (Low-temp)

Refrigerant: R404A

Model	Compressor Model	Condensing Temp(°C)	Evaporating Temp.(°C)					Compressor (kW)	Suction pipe (mm)	Supply pipe (mm)	Dimension (L*W*H)mm	Operating Weight (Kg)
			-40	-35	-30	-25	-20					
SCBL-18YW	4HE-18Y	35	9.99	13.6	17.91	8.12	10.27	13.5	42	16	1400x500x1020	290
		40	8.81	12.12	16.08	7.34	9.31					
SCBL-23YW	4GE-23Y	35	12	16.13	21.06	26.9	33.76	17.25	54	16	1400x500x1020	305
		40	10.72	14.5	19.02	24.4	30.7					
SCBL-28YW	6HE-28Y	35	14.79	20.08	26.39	33.86	42.64	21	54	22	1650x550x1120	361
		40	13.02	17.88	23.69	30.57	38.67					
SCBL-34YW	6GE-34Y	35	18.46	24.53	31.74	40.24	50.21	25.5	54	22	1650x550x1120	402
		40	16.56	22.15	28.8	36.63	45.8					
SCBL-44YW	6FE-44Y	35	21.6	28.98	37.74	48.07	60.16	33	54	22	1650x550x1120	420
		40	19.17	26.02	34.13	43.67	54.8					

Explanation:

1. Power supply: 3P-380V-50Hz; Voltage Allowance: ± 10%, Phase Voltage Allowance: ± 2% .
2. The above data is got by R404A, Data for R134A,R407C etc are available on request.
3. There may be change of the dimensions without pre notice. For accurate you are welcome to ask us for installing drawing.
4. The configuration can be changed based on the customer requirements.

Twin-stage Water-cooled Condensing Unit (Low-temp)

Refrigerant: R404A

Model	Compressor Model	Condensing Temp(°C)	Evaporating Temp.(°C)					Compressor (kW)	Suction pipe (mm)	Supply pipe (mm)	Dimension (L*W*H)mm	Operating Weight (Kg)
			-50	-45	-40	-35	-30					
SCBC-5YW	S4T-5.2Y	35	3.15	3.99	4.97	6.1	7.41	3.75	28	10	1300*1000*800	251
		40	3.08	3.9	4.86	5.98	7.26					
SCBC-8YW	S4N-8.2Y	35	4.49	5.68	7.07	8.67	10.52	6	28	12	1370*1000*795	298
		40	4.39	5.56	6.92	8.49	10.3					
SCBC-12YW	S4G-12.2Y	35	7.34	9.22	11.36	13.73	16.3	9	35	16	1370*1000*795	376
		40	7.18	9	11.08	13.4	15.95					
SCBC-16YW	S6J-16.2Y	35	10.52	13.12	16.06	19.3	22.83	12	42	16	1675*1000*900	441
		40	10.29	12.82	15.68	18.85	22.31					
SCBC-20YW	S6H-20.2Y	35	12.16	15.17	18.56	22.31	26.38	15	42	16	1675*1000*900	486
		40	11.89	14.81	18.11	21.77	25.76					
SCBC-25YW	S6G-25.2Y	35	13.93	17.36	21.22	25.47	30.07	18.75	42	22	1870*1100*1920	515
		40	13.61	16.94	20.7	24.86	29.39					
SCBC-30YW	S6F-30.2Y	35	16.58	20.65	25.23	30.29	35.81	22.5	42	22	1870*1100*1920	560
		40	16.2	20.13	24.59	29.5	34.88					

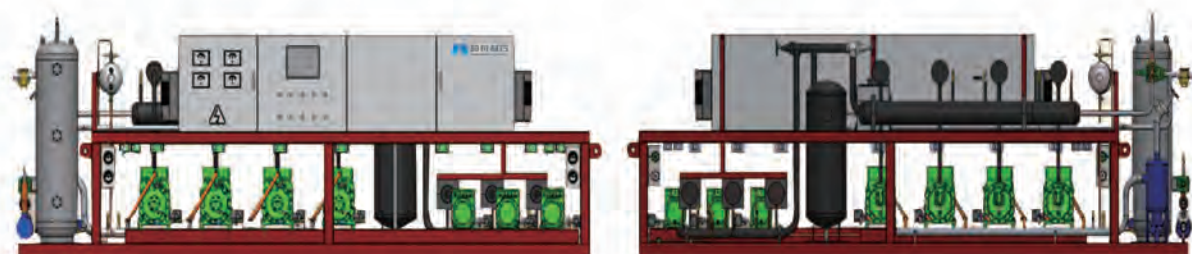
Explanation:

1. Power supply: 3P-380V-50Hz; Voltage Allowance: ± 10%, Phase Voltage Allowance: ± 2% .
2. The above data is got by R404A, Data for R134A,R407C etc are available on request.
3. There may be change of the dimensions without pre notice. For accurate you are welcome to ask us for installing drawing.
4. The configuration can be changed based on the customer requirements.



CO₂ Refrigeration System

01: Booster CO₂ Refrigeration Unit



The application field and refrigeration development tendency
High energy efficiency optimization application in high – loop temperature area,in colder or warmer climates.The overall efficiency of the injector is optimized by high speed and low pressure fluid under the load conditions of a larger range,thus, it can achieve more significant energy saving effect. Provide ejectors and solution for the food retail cold chain market.It can provide a cold source for the refrigerator display cabinet, cold storage and freezer display cabinet, Booster system provides cold source, air conditioning and hot water for mild and low temperature refrigeration,energy-saving and environmental protection is easy to install.It is the ideal choice for convenience stores,also the future of refrigeration applications.

System type	Energy saving VS. 404a	Compressor function consumption VS.
Booster	-11%	Booster
Parallel compressor	7%	0%
Gas ejector	10%	15%
Gas-liquid ejector	22%	18%

Standard configuration	Design pressure	Optional
Reciprocating compressor ejector system Gas-liquid separator Reheat exchanger Automatic oil management system Automatic intelligent monitoring and control system MT compressor runs with variable frequency IT compressor runs with variable frequency Safety protection system and automatic ultra-high pressure relief system Automatic high pressure gas bypass valve and high-pressure valve	30/100 bar Low temperature suction side 52/100 bar Medium temperature suction side 60/80/100 bar accumulator side 120 bar high pressure side	Heat recovery Air conditioning One-piece gas cooler or site installation LT has a variable frequency compressor Cold cloud control system



02: CO₂ Cascade Refrigeration Unit



Feature

Compact structure, easy installation and maintenance, humanization design, CO₂ subcritical operation, perfect safety protection and control function

Standard Configuration

High temp. refrigeration system, high temp compressor, throttle device, condensing evaporator, automatic oil management system, automatic intelligent monitoring system of high temp compressor capacity adjustment, safety protection system and automatic ultrahigh pressure relief system, low temperature compressor, CO₂ compressor, pressure maintaining equipment.

Optional

High temp. condenser ,low Temp.throttle valve,low temperature evaporator,low temp.compressor Volume control.

03: CO₂ Secondary Refrigeration Unit



CO₂ secondary refrigerant systems commonly used in -50°C – 0°C,and it has unique advantage in terms of security and performance,It's different from CO₂ cascade refrigeration system ,CO₂ secondary system has no compressor on the CO₂ side ,and It uses natural circulation or circulation pump to force cycle to provide power.Excellent thermodynamic and hydrodynamic properties make the system overall COP substantially higher.CO₂ has excellent heat transfer performance,so the equipment design is smaller, the system energy consumption is lower, energy efficiency is higher.

Standard configuration	Design pressure	Optional
Main cooling system Refrigerant :R134a,R290,R717 Condensing evaporator CO ₂ circulating pump CO ₂ gas-liquid separator	42/53 bar	Complete machine sheet metal shell Container casing Frequency conversion control Cold cloud control system

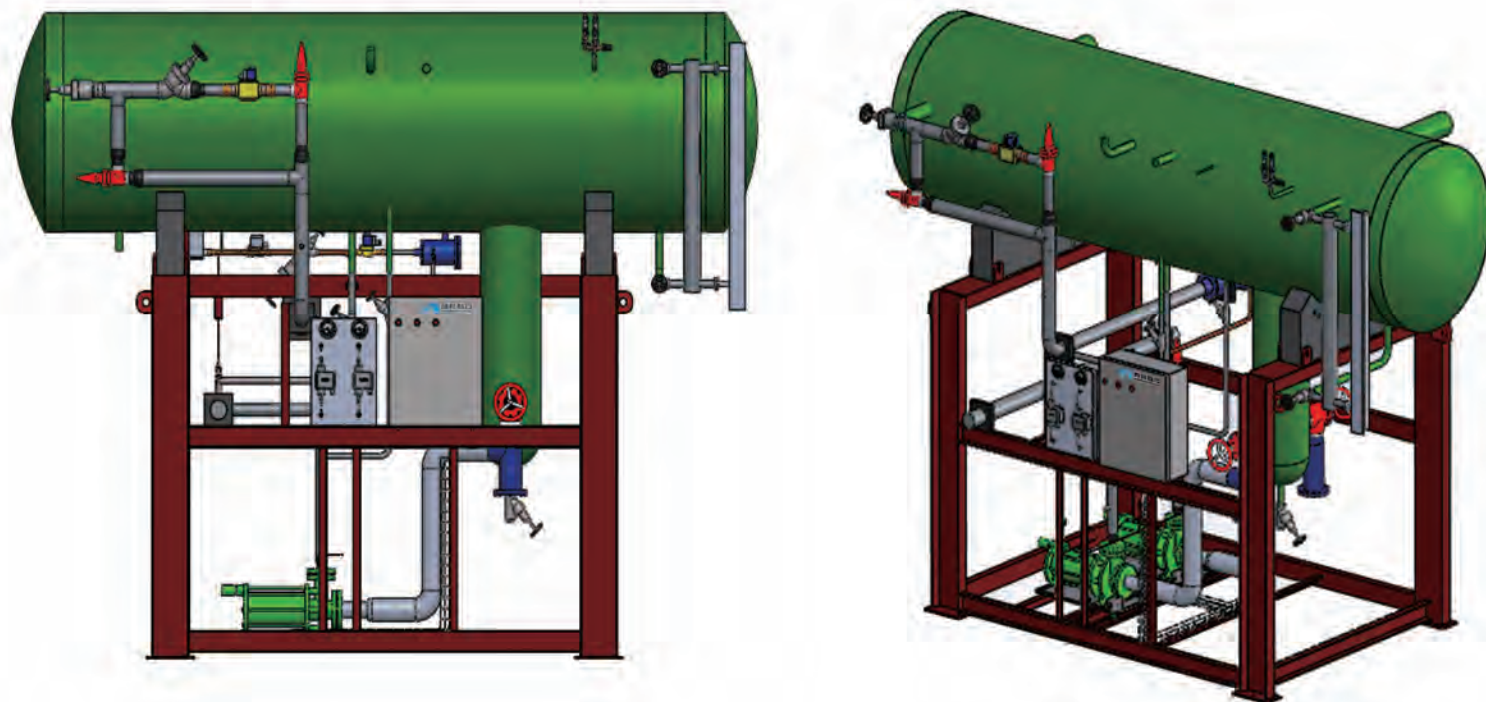


Flooded Refrigeration System

Fluorine Flooded Refrigeration System

High efficiency energy saving fluorine flooded refrigeration system is a refrigeration system that utilizes pump mechanical action and conveying the low temperature refrigerant into into the evaporator.

The low temperature throttled refrigerant is firstly entering a low pressure cycling barrel which has certain liquid storage space and gas-liquid separation space,then uses a fluorine pump conveying the low temperature liquid which has several times larger volume than evaporation capacity into the cold room evaporators. Most of the liquid is absorbing the heat and turned into gas in the evaporator. The rest of the liquid goes back to low pressure circulation barrel through return pipe along with gas. After gas-liquid separation, the gas will be taken away by compressor. The left liquid with newly added liquid which has a equivalent volume are pumped back to evaporator and recycling again.



Feature:

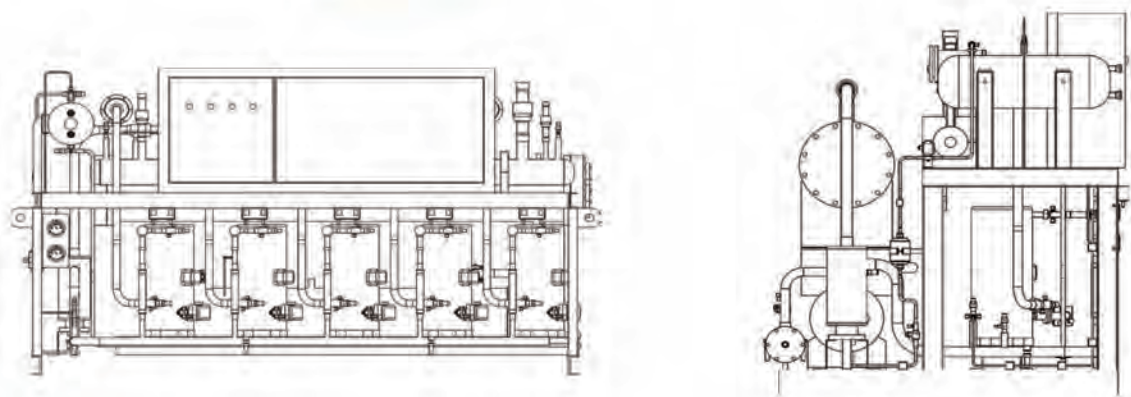
1. The evaporator has high evaporative heat transfer efficiency and good cooling effect.
The evaporators which have the same evaporation area, the cooling effect of the fluorine pump feed liquid is increased 25% to 30% higher than that of the direct expansion feed liquid solution, and increased about 10% than gravity feeding systems.
2. It can guarantee long enough distance liquid feeding.
By using the pump mechanical action, it can overcome the resistance loss in the system to guarantee a long distance feeding.
3. The system is simple but reliable, it's convenient for centralized control and automation, the operating condition of the compressor can be improved.
Fluorine pump feeding system can maintain its function without frequently adjustment as long as barrel has relatively stable level of liquid and the heat load of the room doesn't have large fluctuation, this will make the automation of the refrigeration more easily.
4. Easy defrost operation.
In the fluorine pump feeding system, when defrosting, it directly lead the left liquid in the evaporator into low pressure cycling barrel. In the liquid cooling unit of the fluorine pump, the remaining liquid of evaporator is directly into the low pressure circular barrel.
After finished the defrosting, turn on the fluorine pump to restore the liquid feed of evaporator.
The normal cold room temperature is recover fast and easy operating.

Flooded-type Refrigeration System

Model	Volume(L)	Rate of Flow(m ³ /h)	LXD(mm)	Design Pressure(MPa)	Pump Inlet Size(mm)	Pump Outlet Size(mm)	IP Rate	Weight(KG)
SWZBF-1.0	1000	3	900*1000	1.4	40	32	IP55	590
SWZBF-2.0	2000	6	1350*1200	1.4	40	32	IP55	940
SWZBF-3.0	3000	10	2200*1200	1.4	40	32	IP55	1200
SWZBF-4.0	4000	15	2054*1400	1.4	40	32	IP55	1700
SWZBF-5.0	5000	18	2758*1400	1.4	40	32	IP55	2000
SWZBF-8.0	8000	3	3400*1600	1.4	40	32	IP55	2670



Scroll Parallel Compressor Unit



Feature:

High Efficient ; Structure Simple; Noise Lower; Running Steady ; Vibrate Lower

The digital scroll type parallel compressor unit has a wider capacity regulating range. That's more reliable and economical.

The unit is fast in output for dispensed with midterm transition. And more suitable for system with fast load changes or large load span, such as display cabinet in supermarkets and a series of refrigeration systems which require the precise temperature control.

Note: the letter "D" in the model code means, besides standard configuration, digital scroll type compressor is optional.



Scroll-type Parallel Compressor Unit (High-temp)

Refrigerant: R404A

Model	Compressor Model	Condensing Temp(°C)	Evaporating Temp(°C)			Compressor (kw)	Suction pipe (mm)	Supply pipe (mm)	Dimension (L*W*H)mm	Operating Weight (KG)
			7	0	-10					
SPEVH2-3YD	ZB21KQE-TFD	35	21.5	17	11.9	7.5	35	16	1400*1050*1500	477
		45	18.3	14.5	10.1					
SPEVH2-4YD	ZBD29KQE-TFD	35	28.9	22.8	16	11.25	2*35	22	1950*1050*1500	697
		45	24.7	19.5	13.7					
SPEVH2-5YD	ZBD38KQE-TFD	35	35.6	28.3	19.9	15	2*35	22	2500*1050*1500	870
		45	30.7	24.4	17.1					
SPEVH3-5YD	ZBD38KQE-TFD	35	53.5	42.5	29.8	18.75	3*35	28	3100*1050*1501	1090
		45	46.1	36.6	25.7					
SPEVH2-6YD	ZBD45KQE-TFD	35	42.4	33.7	23.7	22.5	3*35	28	3700*1050*1502	1340
		45	36.5	29	20.4					
SPEVH3-6YD	ZBD45KQE-TFD	35	63.6	50.5	35.5	9	35	16	1400*1135*1500	480
		45	54.8	43.5	30.6					
SPEVH2-7YD	ZBD48KQE-TFD	35	47.7	37.9	26.6	13.5	2*35	22	1950*1135*1500	732
		45	41.1	32.6	22.9					
SPEVH4-7YD	ZBD48KQE-TFD	35	95.4	75.8	53.2	18	2*42	22	2500*1135*1500	902
		45	82.2	65.3	45.9					
SPEVH2-8Y	ZB58KQE-TFD	35	56.5	44.8	31.2	22.5	3*35	28	3200*1135*1500	1197
		45	48.7	38.6	26.7					
SPEVH3-8Y	ZB58KQE-TFD	35	84.9	67.2	46.9	27	3*42	28	3900*1135*1500	1401
		45	73	57.9	40.1					
SPEVH4-8Y	ZB58KQE-TFD	35	113.2	89.6	62.5	13.5	54	22	1400*1135*1500	580
		45	97.4	77.1	53.5					
SPEVH2-9Y	ZB66KQE-TFD	35	63.7	50.4	35.3	20.25	2*42	22	1950*1135*1500	843
		45	54.2	43	30.2					
SPEVH3-9Y	ZB66KQE-TFD	35	95.5	75.6	52.9	27	2*54	22	2500*1135*1500	1074
		45	81.3	64.5	45.3					
SPEVH4-9Y	ZB66KQE-TFD	35	127.3	100.7	70.6	26.25	3*42	28	3200*1135*1500	1380
		45	108.5	86	60.4					
SPEVH2-10Y	ZB76KQE-TFD	35	75.1	59.6	41.7	27	3*54	35	3900*1135*1500	1675
		45	65.4	51.2	35.8					



Scroll-type Parallel Compressor Unit (High-temp)

Refrigerant: R404A

Model	Compressor Model	Condensing Temp(°C)	Evaporating Temp(°C)			Compressor (kw)	Suction pipe (mm)	Supply pipe (mm)	Dimension (L*W*H)mm	Operating Weight (KG)
			7	0	-10					
SPEVH3-10Y	ZB76KQE-TFD	35	112.7	89.4	62.5	21	54	22	1400*1135*1500	708
		45	96.8	76.9	53.7					
SPEVH4-10Y	ZB76KQE-TFD	35	150.2	119.2	83.3	31.5	2*54	22	1950*1135*1500	1003
		45	129.1	102.5	71.6					
SPEVH2-13Y	ZB95KQE-TFD	35	92.4	73.2	51.5	42	2*54	28	2500*1135*1500	1308
		45	79	62.8	43.8					
SPEVH3-13Y	ZB95KQE-TFD	35	138.6	109.7	77.3	52.5	3*54	35	3200*1135*1500	1655
		45	118.5	94.1	65.7					
SPEVH4-13Y	ZB95KQE-TFD	35	184.7	146.3	103.1	63	3*54	35	3900*1135*1500	2079
		45	158	125.5	87.6					

Explanation:

1. Power supply: 3P-380V-50Hz; Voltage Allowance: ± 10%, Phase Voltage Allowance: ± 2% .
2. The above data is got by R404A, Data for R134A,R407C etc are available on request.
3. There may be change of the dimensions without pre notice. For accurate you are welcome to ask us for installing drawing.
4. The configuration can be changed based on the customer requirements.

Scroll-type Parallel Compressor Unit (Low-temp)

Refrigerant: R404A

Model	Compressor Model	Condensing Temp(°C)	Evaporating Temp(°C)			Compressor (kw)	Suction pipe (mm)	Supply pipe (mm)	Dimension (L*W*H)mm	Operating Weight (KG)
			-20	-30	-40					
SPEVL2-5Y	ZF15K4E-TFD	35	13.9	9.2	5.7	27	76	22	1800*1203*1650	974
		45	11.9	7.9	5					
SPEVL3-5Y	ZF15K4E-TFD	35	20.9	13.8	8.5	40.5	2*54	28	2400*1203*1650	1352
		45	17.8	11.9	7.5					
SPEVL4-5Y	ZF15K4E-TFD	35	27.9	18.4	11.3	54	2*76	28	3000*1203*1650	1698
		45	23.8	15.9	10					
SPEVL2-6Y	ZF18K4E-TFD	35	15	10.4	6.8	67.5	3*54	35	3600*1203*1650	2224
		45	14.3	9.8	6.3					
SPEVL3-6Y	ZF18K4E-TFD	35	22.4	15.6	10.2	91	3*76	35	4200*1203*1650	2407
		45	21.5	14.7	9.5					
SPEVL4-6Y	ZF18K4E-TFD	35	29.9	20.7	13.6	34.5	76	22	1800*1203*1650	1012
		45	28.7	19.6	12.6					

Explanation:

1. Power supply: 3P-380V-50Hz; Voltage Allowance: ± 10%, Phase Voltage Allowance: ± 2% .
2. The above data is got by R404A, Data for R134A,R407C etc are available on request.
3. There may be change of the dimensions without pre notice. For accurate you are welcome to ask us for installing drawing.
4. The configuration can be changed based on the customer requirements.

Certificate





Engineering Projects

1. Large Comprehensive Cold Storage of POLO Industry Park in Luanda of Angola, South Africa.

Located in POLO industry park of Luanda, capital of Angola Building area 20000m²
It's the first and biggest cold storage in Angola. Constructed for two years (from 2008 to 2010). It's steel structure, thermal insulation and refrigeration materials are all from China. The main body made of EPS sandwich panel connected by profiled strips, is low in cost and excellent in thermal insulation, the low temperature rooms equipped with Longitudinal Rib Aluminum Alloy Pipe Ceiling Evaporators, are fast in temperature reduction and low in cost as well, and the freon refrigeration system adopts barrel pump liquid supply method. That is the international leading class and higher efficiency.



2. Alber company in Crescent city, California.

4pcs Refrigeration units for 2 tons/h shrimp tunnel freezer systems.





3. South bend city, Washington State.

Compressor units for 2 tons/h shrimp freezer system



5. ASMARA-5000t cold store project



4. Costa frozen food company in Costa Rica.

Compressor units for 1.1 tons/h frozen food factory.



Some engineering projects for your reference.
For more detail information, please feel free to contact us!